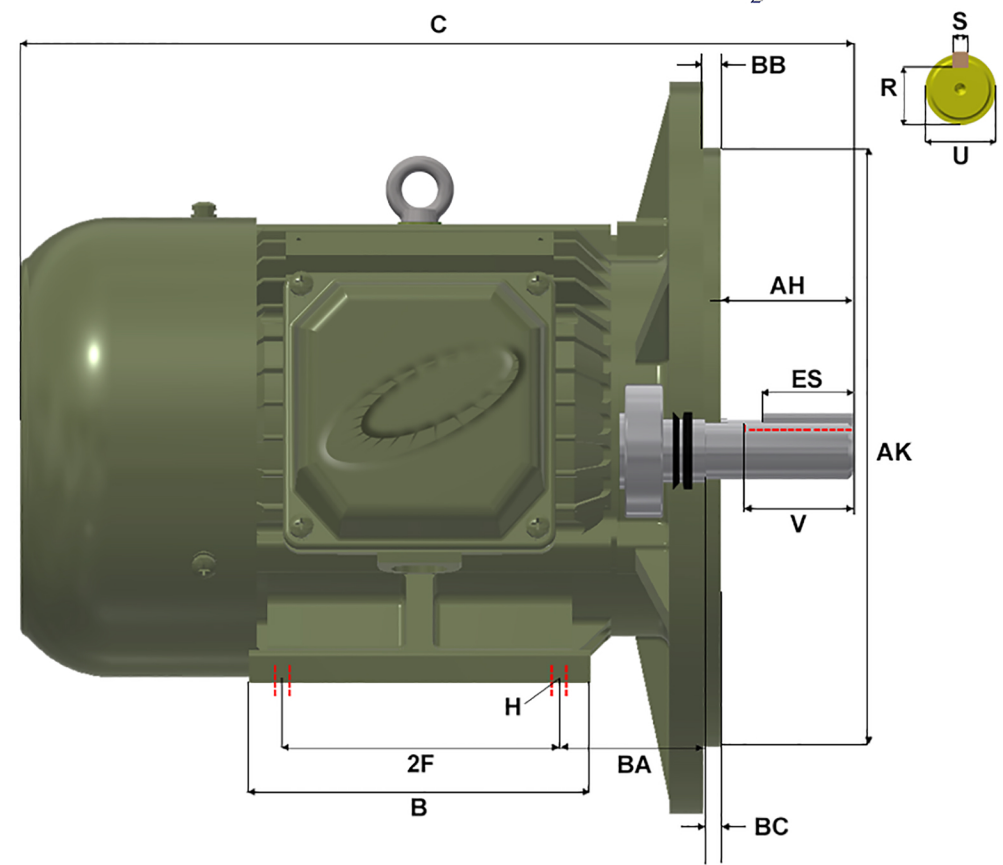
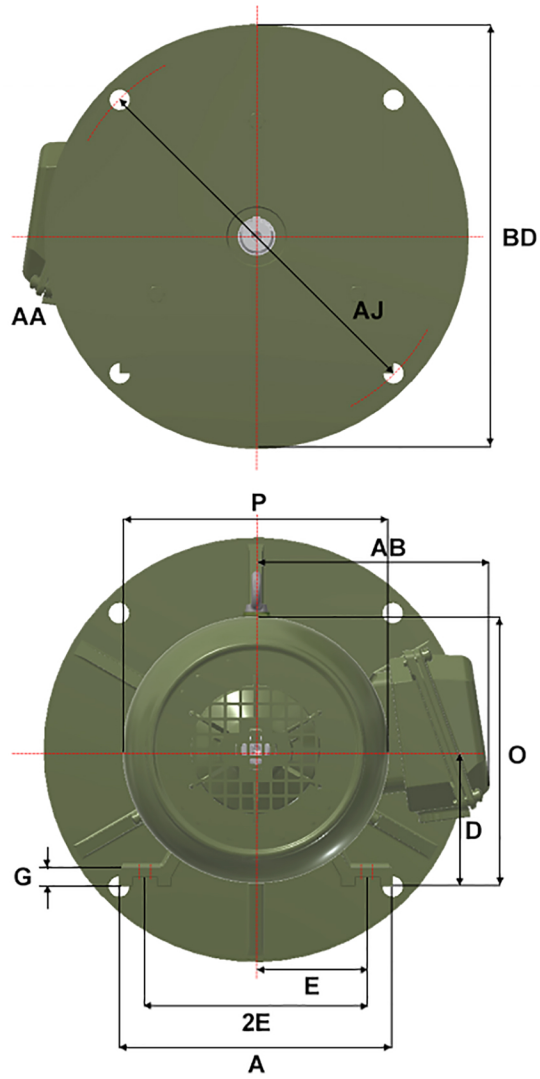


# MaxMotion



Version: 2WTI		Revised: 08-10-2019		HP	RPM	FRAME	ENCLOSURE	<b>MPP/MQP-56D</b>					
Customer is responsible in determining that MEP product will fit/perform suitably in the intended application				40	3600	324TSD	TEFC						
A	B	C	D	E	2E	2F	G	H	O	P	R	S	
15.50	14.70	28.30	8.00	6.25	12.50	10.50	1.00	4 * 0.66	15.90	15.70	1.591	0.500	
T	U	V	AA	AB	AH	AJ	AK	BA	BB	BC	BD	ES	
2.60	1.875	3.50	2 NPT	12.30	3.75	16.00	14.00	5.25	0.25	0.00	18.00	2.03	